

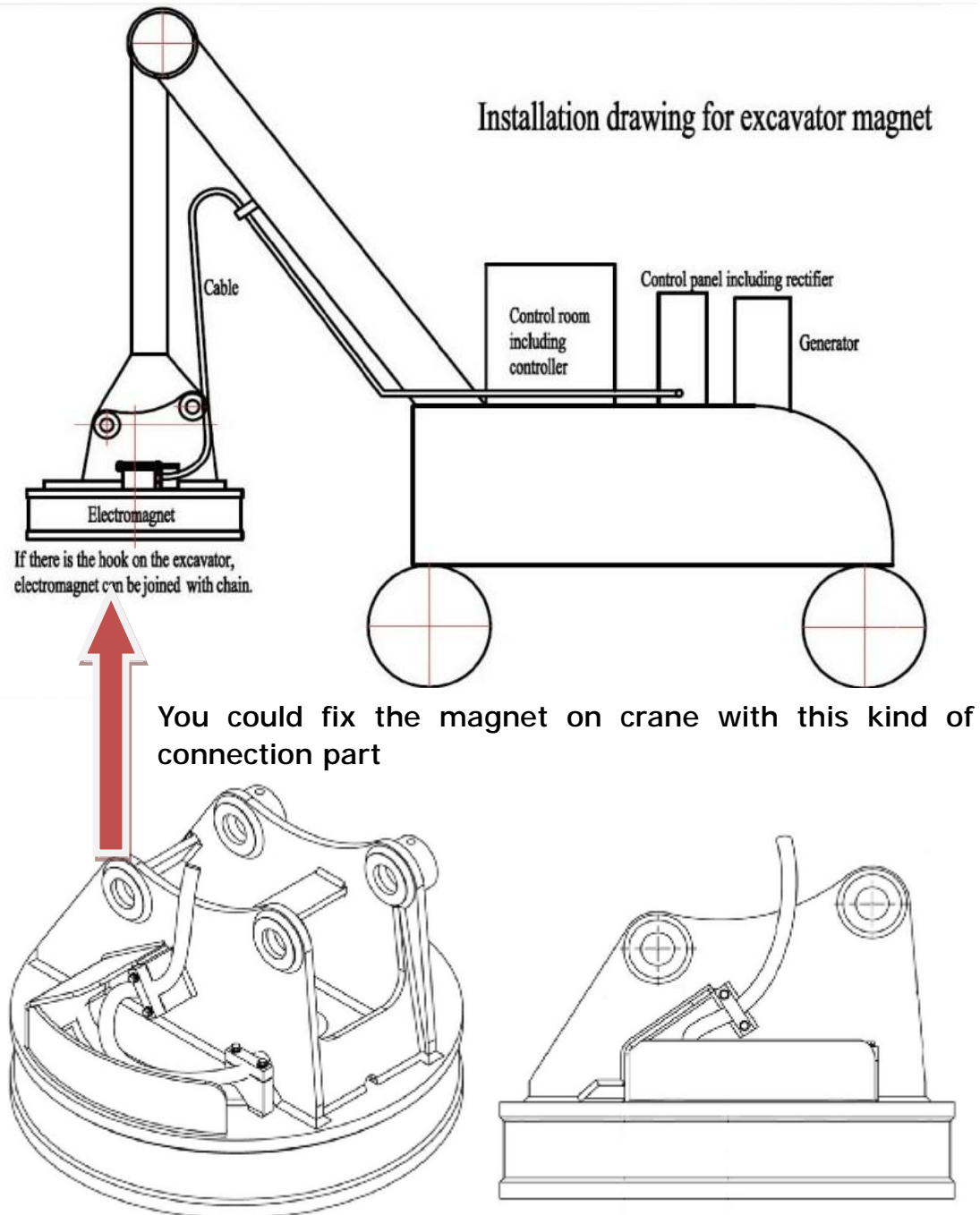
## Excavator Suiting Magnet Introduction

Excavator Suiting Magnet including:

- Magnet
- Control cabinet
- Generator or you could provide extra power supply

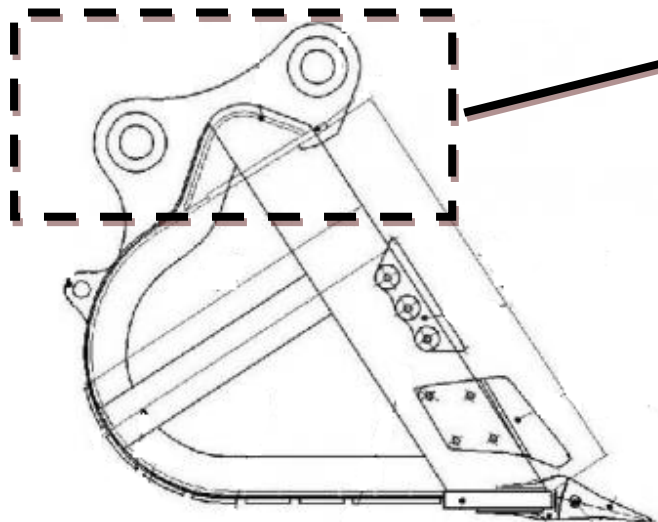
**There has two connection ways for magnet & excavator:**

**Installation I: Fix the magnet with excavator:**





For this kind of installation way, you just need to replace the excavator bucket with our magnet, and you need to provide the size of bucket connection size:

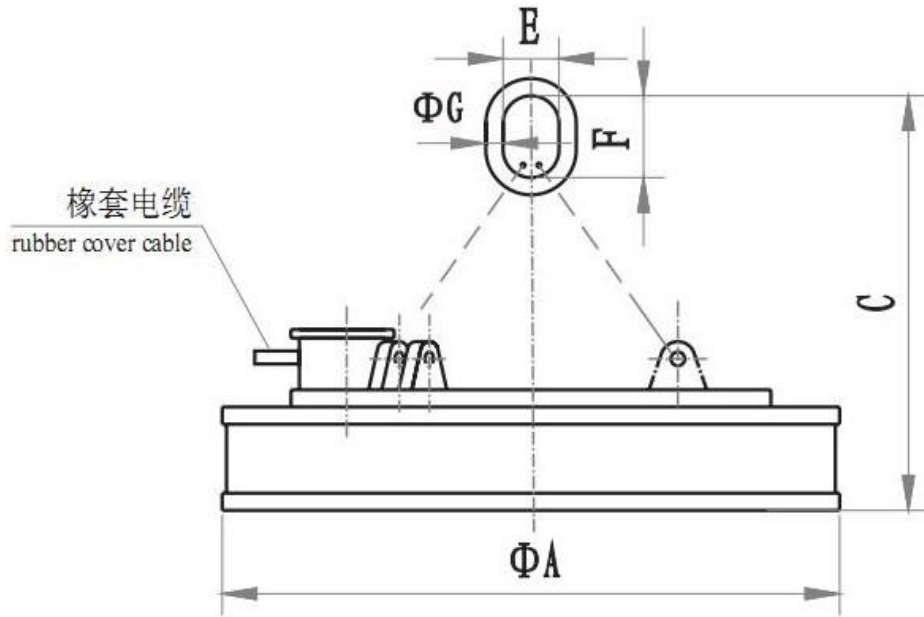


For better connection of magnet & excavator, we need to know the every size of this part.

**Installation II: Hang the magnet on Excavator:**



For this kind of installation, you just need to remove the excavator bucket, and then hang the magnet on excavator with chain.



Comparison of two installation ways:

Installation	WAY I	WAY II
Description	Fix magnet on excavator	Hang magnet with chain
Production	Special design for one excavator	Could be used for all types excavator & crane
Usage	Stable and no shaking during usage	Could have shaking during usage



**Information needs providing for model confirmation:**

- (1) Your excavator lifting capacity information.
- (2) Your request for the magnet.
- (3) If you need generator or not.

We could solve all your magnet lifting solution according to your request.

Any request or more information in need, please just contacts me:



Yueyang Zhong Nan Electromagnet Technological Co., Ltd

**Daisy Shen**

---

ZN-Magnet It's not magic, it's magnet!

---

Add: #382, Xueyuan Road, Qijialing, Yueyang City, Hunan Province, China  
Tel: +86-730-8643783      Fax: +86-730-8340189  
Mob: +86-13975096594      Skype: shaneyue2006  
Email: [yyzndct@yahoo.com](mailto:yyzndct@yahoo.com)      Web: [www.zn-magnet.com](http://www.zn-magnet.com)